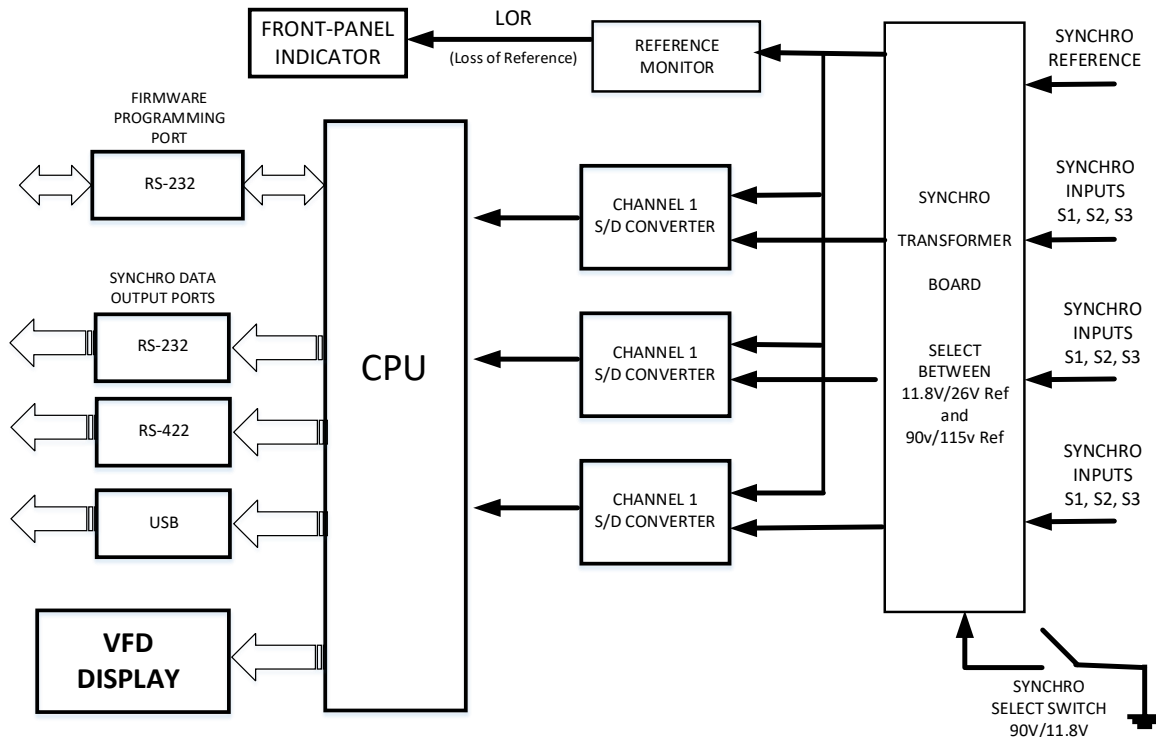


## General

The Kimdu AIU-100 is a three-channel Portable Synchro Angle Indicator Unit. The AIU-100 can operate with 90v or 11.8v synchro levels (26v or 115v Reference) which is selectable via a front-panel switch. A 4-line VFD display shows the angle for each of the three synchro channels. In addition, the AIU outputs the data in ASCII over RS-232, RS-422 and USB ports on the back panel. The AIU-100 monitors the presence of the reference voltage and indicates a loss of reference via a front-panel indicator lamp. The AIU-100 begins operation when power is applied and continuously updates both the front-panel display and the serial outputs. The unit is powered from 110~240vAC 50/60Hz.



QUALITY

SUPPORT



KIMDU Technologies, LLC

140 Finn Court  
Farmingdale, NY 11735

Tel: 1 800 677-6174 Fax: 1 631 249-1618  
E-mail: sales@kimducorp.com