

## General Description

The Kimdu Technologies' General Purpose Converter Unit (GPCU) is a flight-qualified, COTS piece of equipment that contains ARINC-429 channels, RS-232/422 channels, an optional Dual-Redundant Mil-Std-1553B interface, 10/100 Ethernet, USB, and a CAN or AeroCAN interface, A/D inputs, Discrete I/O and audio multi-tone generator. It can be used to translate between the different protocols when supplied with system-specific firmware. The protocol conversions are performed by the embedded ARM processor. The ARINC-429 interface includes a number of options including: Data Rate (12.5Kbps/100Kbps) and Parity (Normal/Disabled) on a per channel basis. There are up to four serial ports which can operate a various baud rates.

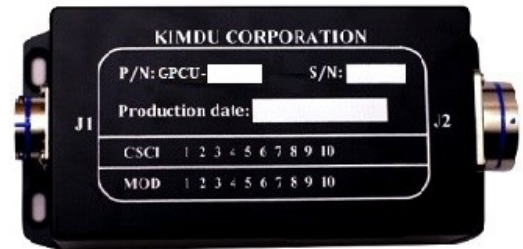
### Firmware Uploading Operation

The GPCU has a dedicated serial port for firmware updates. Firmware upload is easily accomplished in the field by using the supplied "Loader" software utility along with a PC with a serial port or RS-232/USB adapter. A serial HEX file can be supplied that can be uploaded to the GPCU at the customer's site.

### Customization

The GPCU contains an internal mezzanine card socket that allows for the addition of custom interfaces. Contact the sales group at Kimdu Technologies for details.

## GPCU



### FEATURES:

- ◆ COTS
- ◆ Protocol Conversion between multiple interfaces
- ◆ Ruggedized, Qualified Unit
- ◆ MIL-38999 Connectors
- ◆ Mil-Std-704 28vDC
- ◆ Mil-Std-461
- ◆ Mil-Std-810

QUALITY

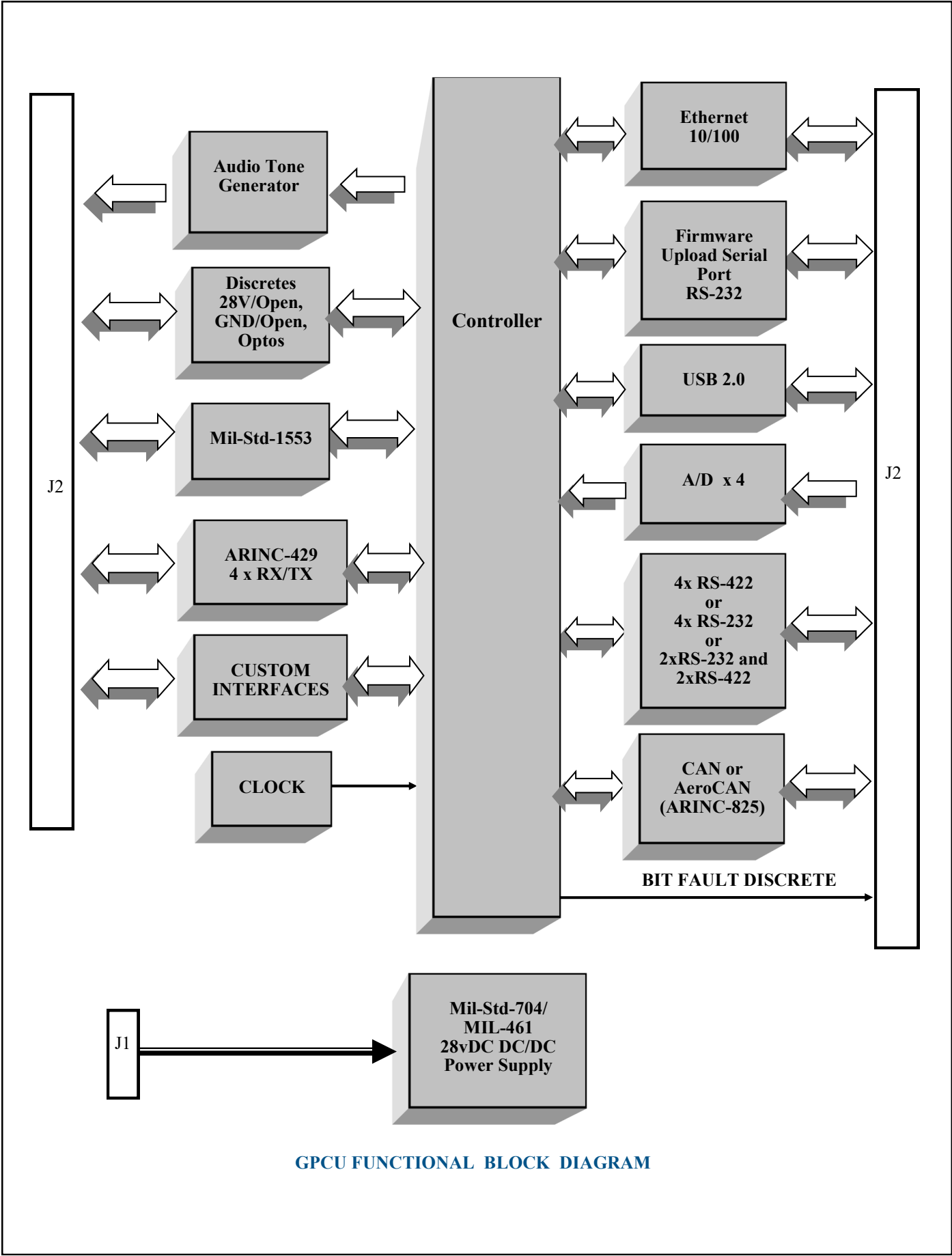
SUPPORT



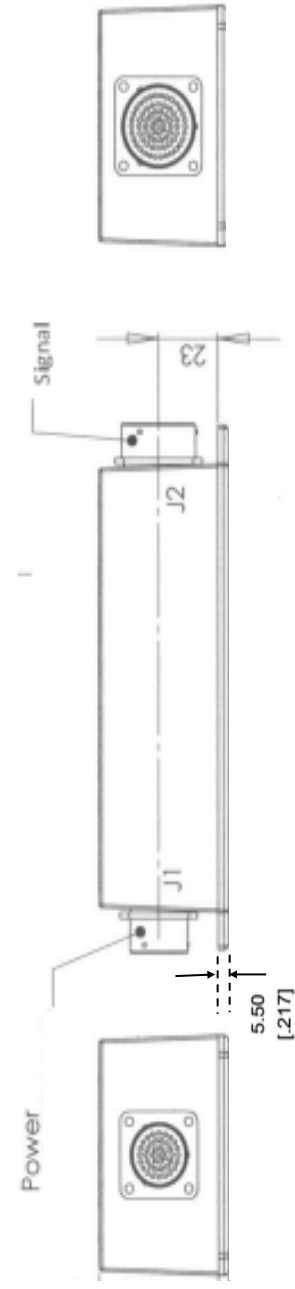
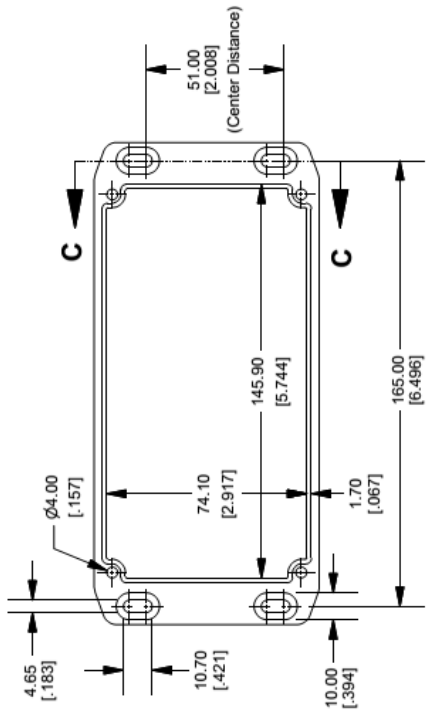
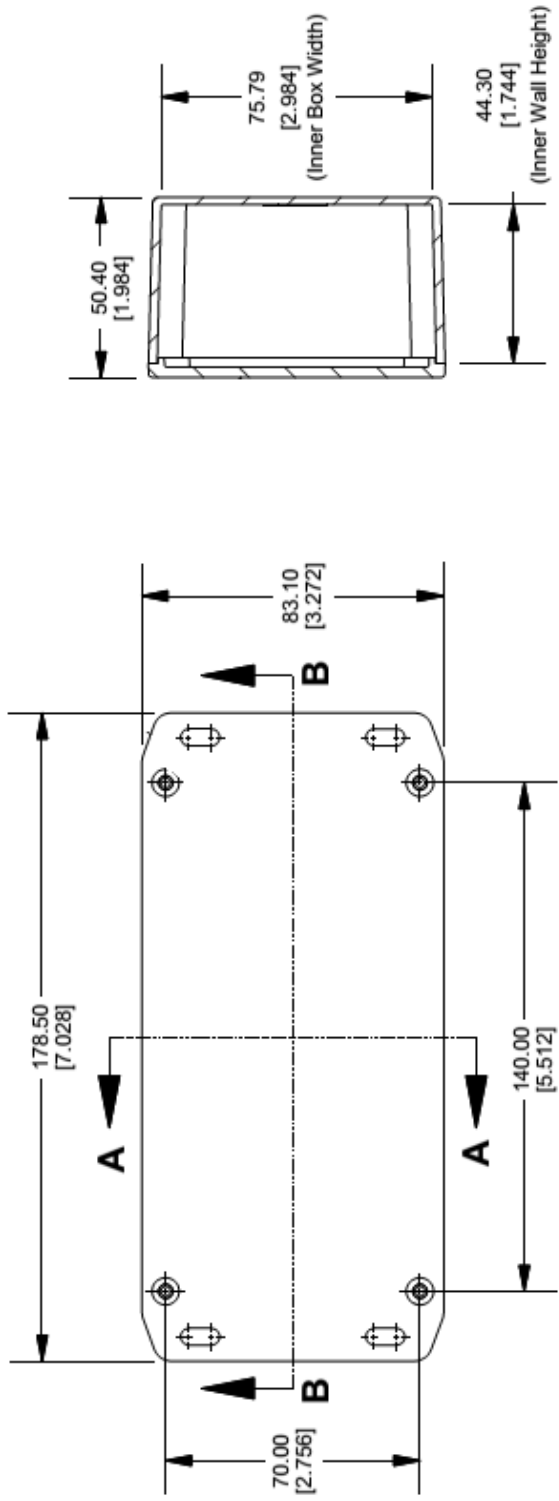
Kimdu Technologies, LLC

1662 Old Country Rd. #9  
Plainview, New York 11803

Tel: 1 800 677-6174 Fax: 1 866 447-8644  
E-mail: sales@kimducorp.com



**GPCU FUNCTIONAL BLOCK DIAGRAM**



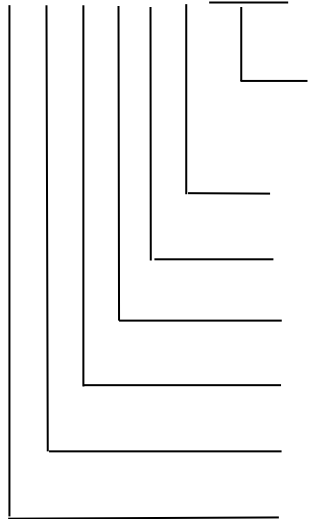
Generic Protocol Converter Unit  
GPCU

DWG160210-1

## Ordering Information

### Ordering Information

GPCU- X -X- X- X -X -X -XXXX



**4-Digit Customer Customization Code issued by Kimdu Technologies**  
For Configuration control. Defines and controls Serial Type (422/232), Analog Inputs, Discrete types, Custom interfaces, additional customer definitions.

Audio Output: (=1) or No (=0)

Discretes: (=1) or No (=0)

Mil-Std-1553: (=1) or No 1553 (=0)

CAN: (=1) or No CAN (=0)

Ethernet (=1) or No Ethernet (=0)

ARINC-429 Options: (Note: Each channel is a TX/RX Pair)

0= No ARINC

1= 1 Channel

2= 2 Channels

3= 3 Channels

4= 4 Channels