

General Description

The Kimdu Technologies' 100A, 4-Channel Solid State Power Controller operates from a nominal 28vDC power source and can safely switch power to four independent output channels. Each channel has a maximum rating of 25A. The SSPC can be controlled via a bidirectional RS-422 interface. Optional interface include CAN 2.0, Discrete, and Ethernet 10/00. Kimdu Technologies can also offer custom host interfaces per your requirement.

Status Outputs

The SSPC can supply status of its operation. Voltage and currents levels along with Trip conditions can be monitored by issuing a command to the SSPC.

Contact the sales group at Kimdu Technologies for details.



FEATURES:

- ◆ 100A, Four Channel, SSPC
- ◆ 25A per Channel
- ◆ Ruggedized Unit
- ◆ BIT
- ◆ I²T
- ◆ Battle Mode
- ◆ User Interfaces include:
 - ◆ RS-422
 - ◆ CAN 2.0, ARINC-825 (option)
 - ◆ Ethernet (option)
 - ◆ Mil-Std-1553 (option)
- ◆ Mil-Std-704 28vDC
- ◆ BIT & TRIP Discrete Outputs
- ◆ Dimensions: 8.54" x 4.7" x 2.2"

QUALITY

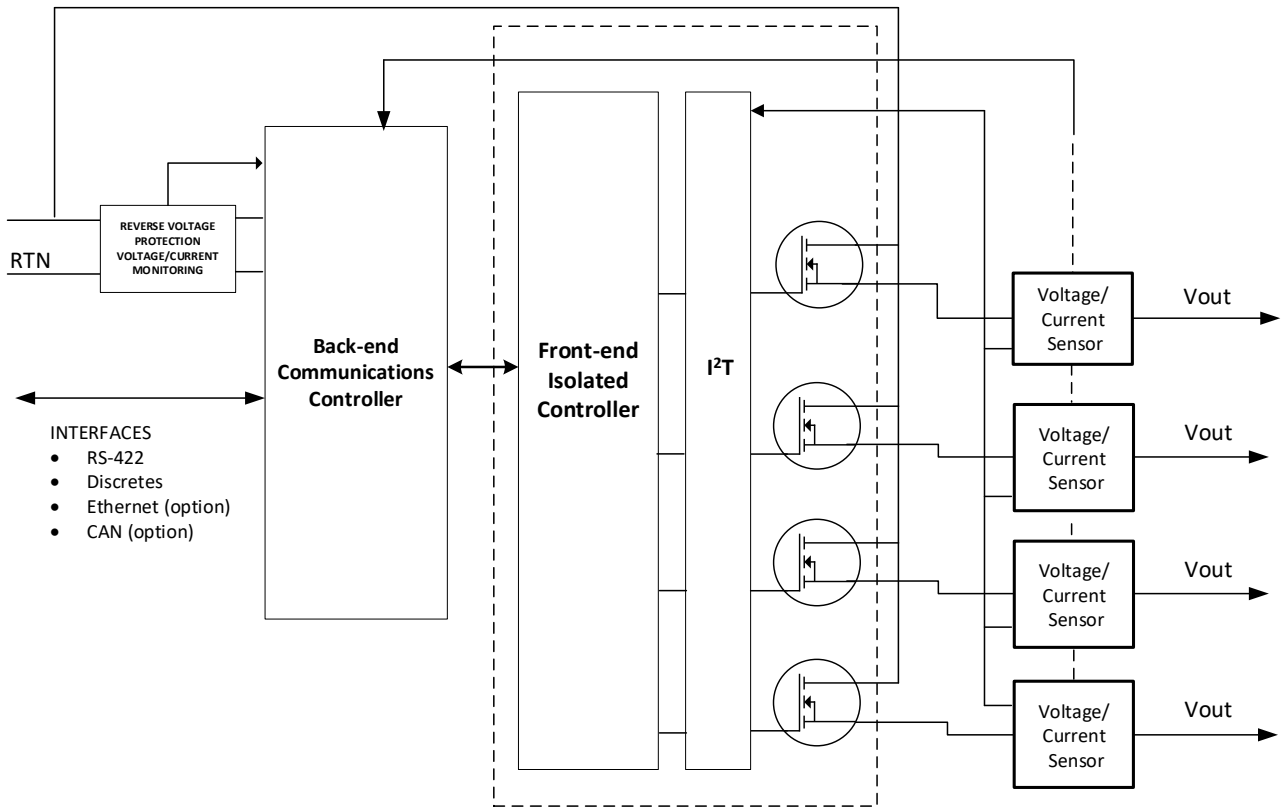
SUPPORT



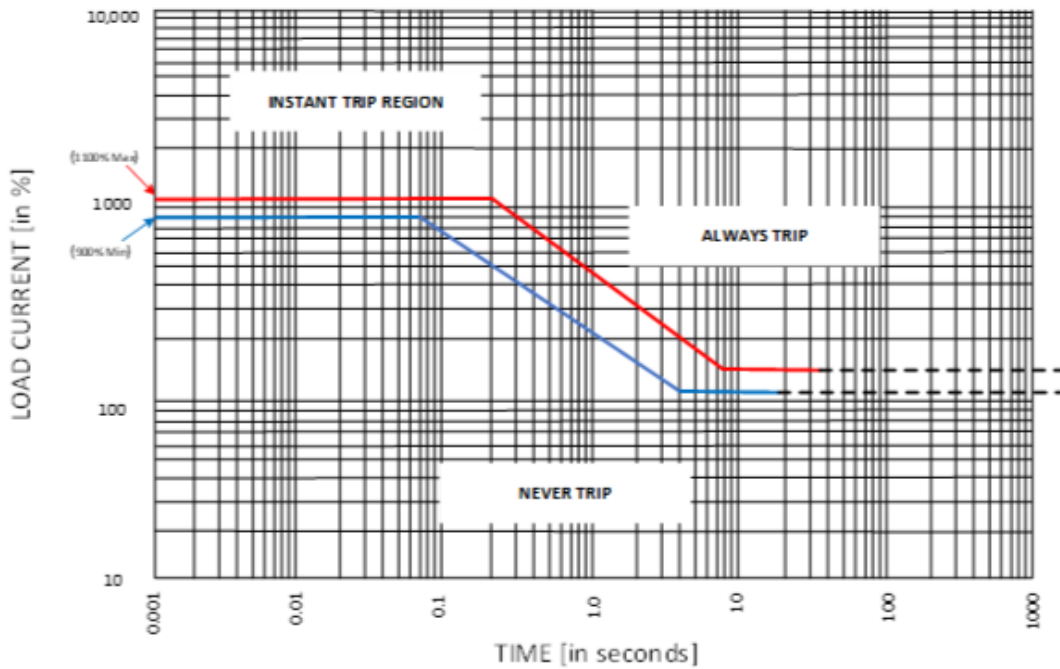
Kimdu Technologies, LLC

1662 Old Country Rd. #9
Plainview, New York 11803

Tel: 1 800 677-6174
Fax: 1 866 447-8644
E-mail: sales@kimducorp.com
www.kimdu.com



SSPC FUNCTIONAL BLOCK DIAGRAM



I²T GRAPH PER CHANNEL

Ordering Part Number: KSSPC-28-25-4-C0

Rev A